

PART CIRCLE ROTOR

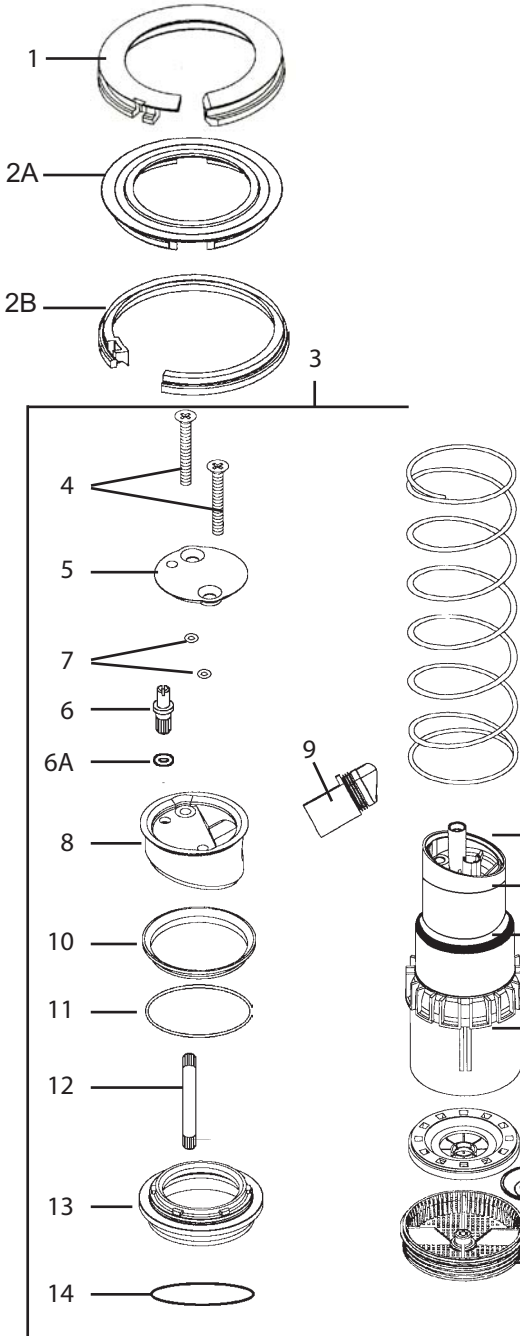
EAGLE - 950 SERIES



Ref. No. : 497

Date : 03/2005

Page : 1 of 2



| Ref. | Part Description | Qty. | 950-E | 950-S | 950-H |
|---------------------------------------|--------------------------------------|------|--------------------|-----------|-----------|
| SNAP RINGS | | | | | |
| 1 | Snap Cover | 1 | 211934-01 | 211934-01 | 211934-01 |
| 2A | Cover, Rubber | | included in 211599 | | |
| 2B | Snap Ring, Upper | | included in 211599 | | |
| INTERNAL ASSEMBLY | | | | | |
| 3 | Internal Assembly | 1 | 211442-28 | 211919-28 | 211442-28 |
| * COVER ASSEMBLY | | | | | |
| 4 | Screw, 1/4 - 15 | 2 | 210975 | 210975 | 210975 |
| | Oversized Arc Adjust & Cover Kit (A) | | 212158 | 212158 | 212158 |
| 5 | Cover, Housing | 1 | — | — | — |
| 6 | Oversized Arc Adjust | 2 | — | — | — |
| 6A | Quad Seal, Arc Adjust | 1 | — | — | — |
| 7 | O-Ring, Screw | 2 | 209778 | 209778 | 209778 |
| NOZZLES | | | | | |
| 8 | Housing, Nozzle - Black | 1 | 211962 | 211962 | 211962 |
| | Nozzle/Stator Kit - Cascade (B) | 1 | 211441-xx | 211441-xx | 211441-xx |
| | Nozzle/Stator Kit - Non-Cascade (C) | 1 | 211215-xx | 211215-xx | 211215-xx |
| 9 | Nozzle Assembly, Range | 1 | — | — | — |
| 17 | Poppet | 1 | — | — | — |
| 18 | Stator | 1 | — | — | — |
| 10 | Seal, Retract | 1 | 210231 | 210231 | 210231 |
| 19 | Screen | 1 | 210232 | 210232 | 210232 |
| BEARING / RISER-MOTOR ASSEMBLY | | | | | |
| 11 | O-Ring, Nozzle Housing | 1 | 210436 | 210436 | 210436 |
| 12 | Adjustment Stem | 1 | 210837 | 210837 | 210837 |
| 13 | Guide, Bearing, STD | 1 | 211460 | — | 211460 |
| 13 | Guide, Bearing, LO-FLOW | 1 | — | 211461 | — |
| 14 | O-Ring, Bearing Guide | 1 | 212383 | 212383 | 212383 |
| 15 | Spring, Retract | 1 | — | — | — |
| 16 | Riser Motor Assembly | 1 | 210439 | 210439 | 210439 |
| 16A | Nozzle Base Replacement Kit w/Seal | 1 | 212061 | 212061 | 212061 |
| 16B | Pop-up Seal (White) | 1 | 209781 | 209781 | 209781 |
| CASE ASSEMBLIES | | | | | |
| 43 | Case Assembly (BSP) | 1 | 212472-03 | 212474 | 212473 |
| 20 | PRS/Selector Assy (>6/95) 2 tubes | 1 | 211418 | — | — |
| 22 | Cover, Threaded (F) | 1 | (F) | — | — |
| 23 | O-Ring, Stem Cover (F) | 1 | (F) | — | — |
| 25 | Selector Washer | 1 | 210040 | — | — |
| 26 | PRS Cartridge (F) | 1 | (F) | — | — |
| 27 | Seal, Selector (F) | 1 | (F) | — | — |
| 21 | PRS/Housing Kit (>6/95) | 1 | 211386 | — | — |
| 28 | Base Nut | 1 | 602606 | — | — |
| 30 | Tube, Welded | 1 | 630028 | — | — |
| 18 | Plunger Assembly (not shown) | 1 | 629453 | — | — |
| 31 | Tubing | 1 | 205920-02 | 205920-02 | — |
| 33 | Ferrule | 2 | 206409 | — | 206409 |
| 34 | Solenoid Assy | 1 | 206920-01 | — | — |
| | Plunger Assy (not shown) | 1 | 629453 | — | — |
| 35 | Retainer, Rubber | 1 | 627167 | — | — |
| 36 | U-Frame | 1 | 210914 | — | — |
| 37 | Coil | 1 | 602118 | — | — |
| 38 | Snap Ring, Lower | 2 | 208396 | 208396 | 208396 |
| 39 | HPDV Valve Assembly | 1 | 211266 | 212323 | 212323 |
| | HFDV Diaphragm Assembly Kit (<8/99) | 1 | 207594 | 208439 | 208439 |
| | (Not Shown) | | | | |
| 40 | Probe & O-ring Assembly | 1 | 207402 | 207402 | 207402 |
| 41 | Top Serviceable Rock Screen | 1 | 211714-02 | 211714-02 | 211714-02 |
| 42 | Screen, Inlet (<9/98) | 1 | 209923 | 209923 | 209923 |

(A) New Oversized Arc Adjust incorporated 2/00.

(B) Specify Nozzle Size when ordering. Available in # 18, 20, 22, 24.

(C) Specify Nozzle Size when ordering. Available in # 26, 28, 30, 32.

Diffuser Screw Kit: 212145. Eagle Tail's Kit: 211900

(F) Included in PRS/Selector Repair Kit # 210166. Use 212150 for cases made after 5/2001

* Rubber cover (#211599) and artificial grass cover (#P00904) kits are available for old cases. Rubber cover kit for new cases : 212554. Artificial grass cover kit for new cases : B99500

PART CIRCLE ROTOR

EAGLE - 950 SERIES

Ref. No. : 497

Date : 03/2005

Page : 2 of 2

